



1DM1



Actual product appearance may vary.

Snap-in Panel Mount Switch, Single Pole Double Throw (SPDT) Circuitry, 10 A at 277 Vac, Bullet Nose Plunger Actuator, Silver Contacts, Quick Connect Termination

Features

- Attractive, rugged snap-in panel mount design - easy installation
- Choice of momentary, alternate push-pull or pull-to-cheat operation
- Quick-connect terminals
- Expected mechanical life: 1 million operations, 95% survival
- UL recognized file #E22779, CSA certified file #LR4442

Potential

Applications

- Appliance door lights
- Door interlocks
- Stop/start switches

Description

The MICRO SWITCH™ DM/DP Series are snap-action switches in basic and manual configurations. They have quick-connect terminals and snap-in, panel mount housings for ease of installation. They include momentary and alternate actions, and single- or double-pole. The DM accept a button for manual operation. The DP have plungers for basic operation.

Product Specifications	
Switch Type	Snap-in Panel Mount (0.55 in x 1.12 in panel cutout)
Sealed	No
Ampere Rating	10 A
Circuitry	Single Pole Double Throw (SPDT)
Actuator	Bullet Nose Plunger
Termination	Quick Connect
Operating Temperature Range	-37 °C to 82 °C [-35 °F to 180 °F]
Voltage	277 Vac
Approvals	CSA,UL
Contact Type	Silver

Operating Force (O.F.)	4,17 N [15 oz] max.
Release Force (R.F.)	0,83 N [3.0 oz] min.
Overtravel (O.T.)	9,53 mm [.375 in] min.
Differential Travel (D.T.)	.045 in. approx.
Operating Position (O.P.)	19,1 ± 1,5 mm [0.750 ± 0.060 in]
Free Position (F.P.)	22,4 mm [0.880 ± 0.050 in] max.
Housing Material	Polyester
CE mark	No
UL File #	E12252
CSA File #	LR4442
Agency Approvals and Standards	UL/CSA
Recommended For	Door Status Indication
Availability	Global
Series Name	DM/DP

REPLACES

RELEASE NO.

CHECK

CHECK

CHECK

DRAWN
DMS/CAD

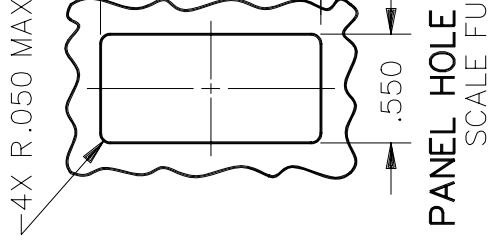
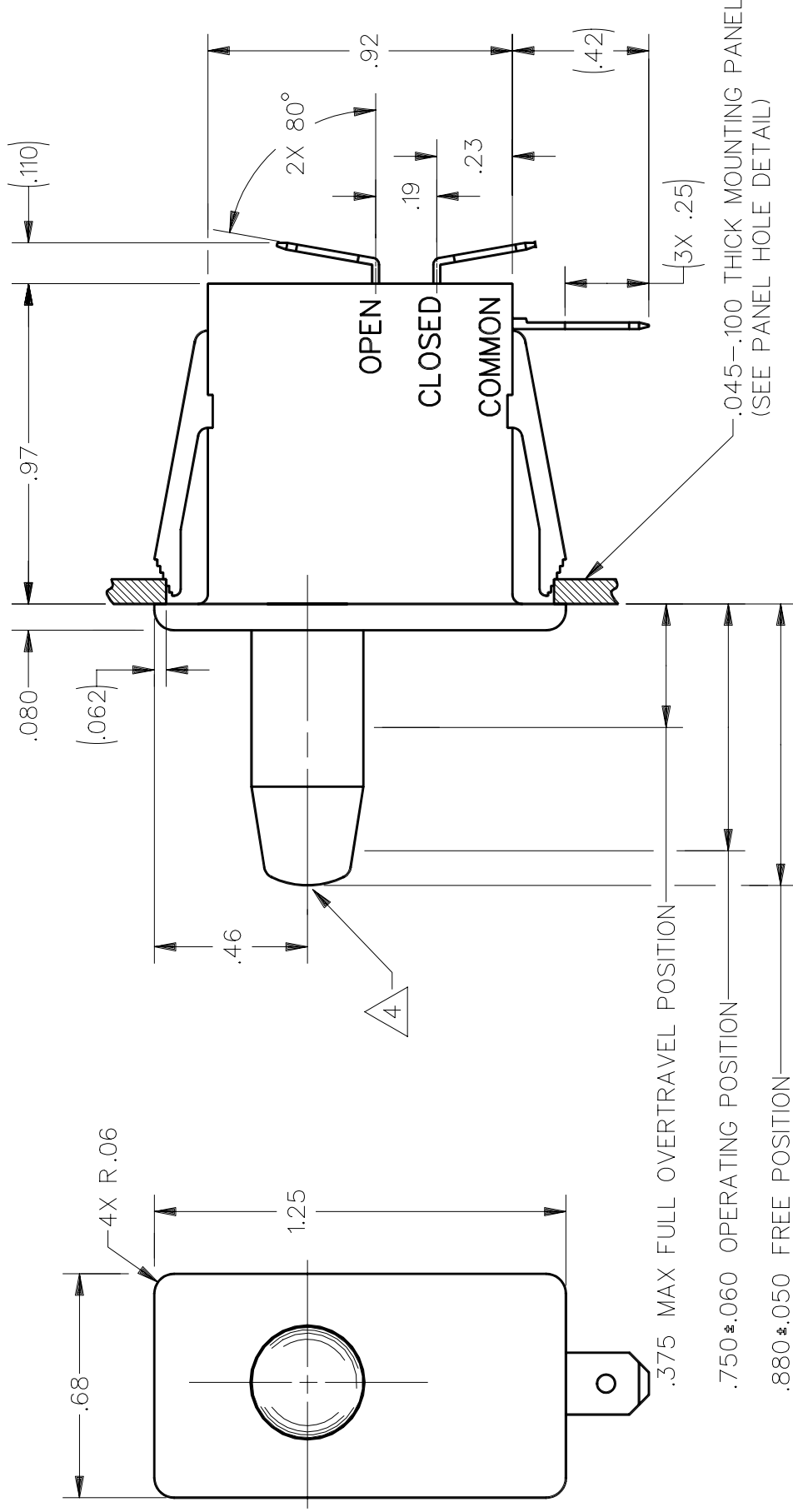
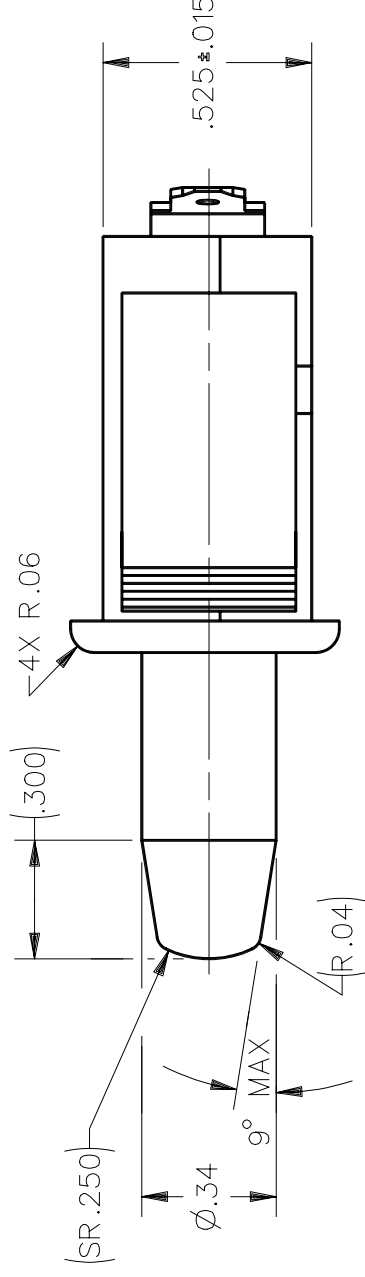
DCS

20 APR 92

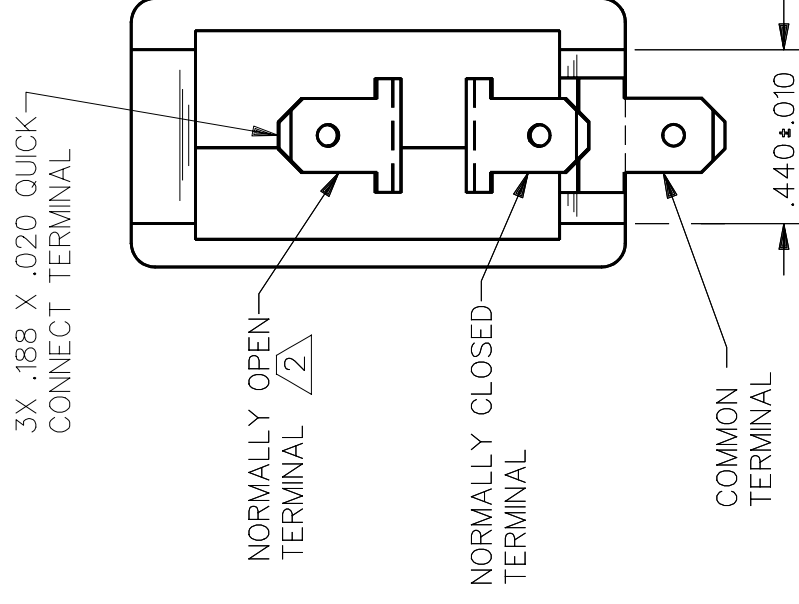
CATALOG LISTING
1DM1

ISSUE
13

REVISIONS
A CO-
A 172328
DCS
20 APR 92



PANEL HOLE DETAIL
SCALE FULL



THIS DRAWING COVERS A PROPRIETARY ITEM AND IS THE PROPERTY OF MICRO SWITCH. A DIVISION OF HONEYWELL. THIS DRAWING IS NOT TO BE COPIED OR USED WITHOUT THE APPROVAL OF MICRO SWITCH

CHARACTERISTICS

OPERATING FORCE	15 OZ MAX
RELEASE FORCE	3 OZ MIN
DIFFERENTIAL TRAVEL	.045 APPROX
OVERTRAVEL	.375 MIN
PLUNGER FORCE AT .375 OVERTRAVEL	21 OZ MAX

ELECTRICAL DATA

CONTACT ARRANGEMENT	
S P D T	
L181	10A 1/2HP 125, 250 OR 277 VAC

THIRD ANGLE PROJECTION

SCALE	2 TO 1
DO NOT SCALE PRINT	
UNLESS OTHERWISE SPECIFIED TOLERANCES ARE	
ONE PLACE	±.030
TWO PLACE	±.015
THREE PLACE	±.005
ANGLES	± 5°
WEIGHT	

NOTES

- 1 - WHITE PLASTIC CASE AND PLUNGER
- 2 - FLAG STYLE QUICK CONNECT RECEPTACLE REQUIRED FOR NORMALLY OPEN TERMINAL IF SWITCH IS WIRED BEFORE MOUNTING
- 3 - NOMINAL CUTOUT DIMENSION FOR PANELS BETWEEN .045 AND .100 SHOULD BE INTERPOLATED BETWEEN 1.115 AND 1.125
- 4 - PUSH TO OPERATE - MOMENTARY